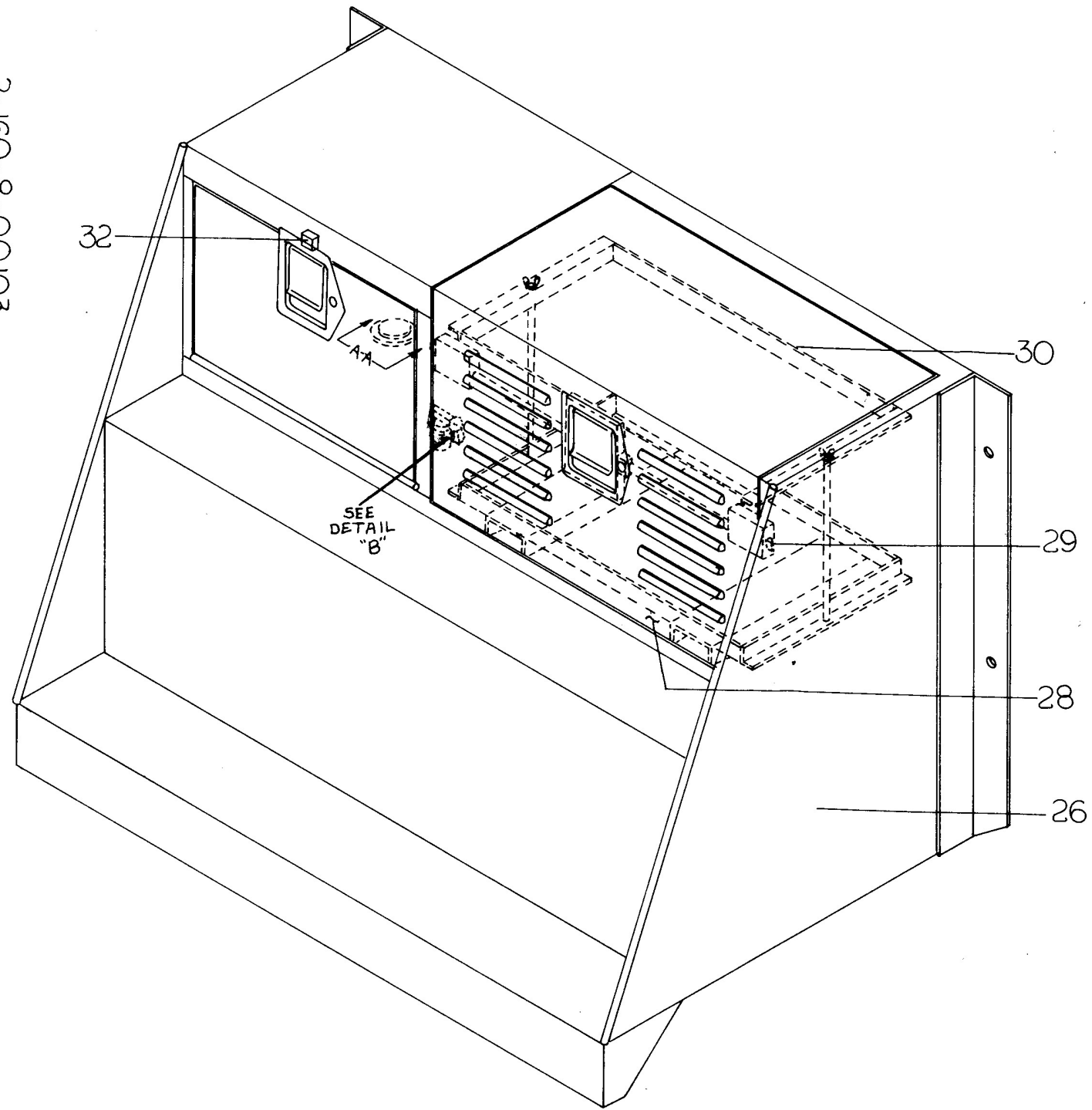
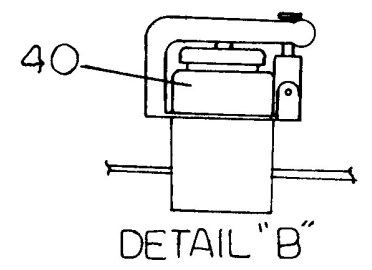


SECT. "A-A"



2-160-8-00103

2160800103

(SHEET 1 OF 1)

36XXe 400